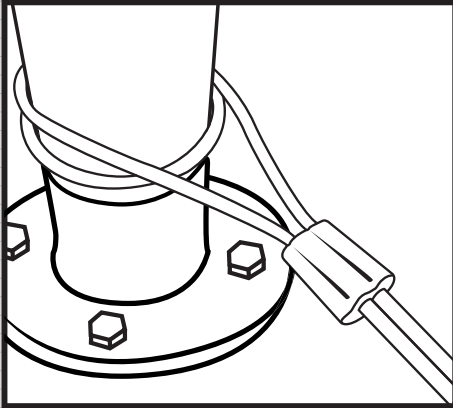


## STEP 1 INSTALLING THE CABLE

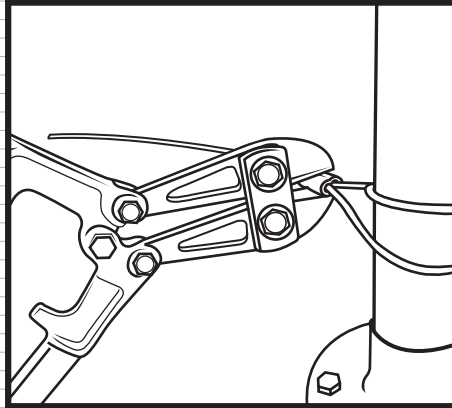
Supplies Check List (per panel)	Tools Needed...	Tips...
<ul style="list-style-type: none"> <li>• 1/8" Galvanized Wire Cable - length of span (top and bottom) + 25%</li> <li>• Turnbuckle 1/4" x 7.75"</li> <li>• (4) 1/8" Aluminum Stop Sets (or equivalent cable clamp)</li> </ul>	<ul style="list-style-type: none"> <li>• Cutter Pliers (sufficient to cut 1/8" cable)</li> <li>• Crimping Tool (or equivalent to secure cable clamping device)</li> <li>• Line Leveler</li> <li>• Marking Pen</li> </ul>	<ul style="list-style-type: none"> <li>• Whenever possible, level the bottom cable at the lowest point of the highest footing.</li> <li>• Always double wrap the cable on the vertical posts to prevent movement or slippage.</li> <li>• Test your cable cutter beforehand; clean and sharp cable cuts are vital.</li> <li>• Carry additional hardware to accommodate unforeseen needs.</li> </ul>

Step 1a.



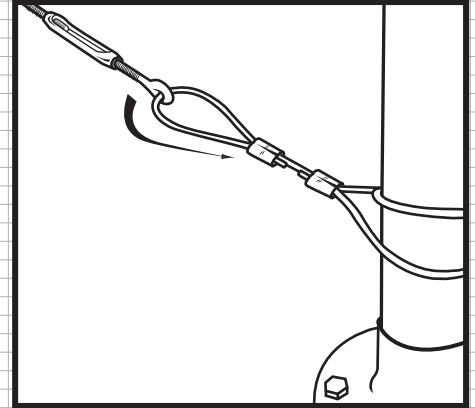
Double loop a 24" long piece of cable on the vertical post at lowest point of the highest footing. Secure as tight as possible with an aluminum stop.

Step 1b.



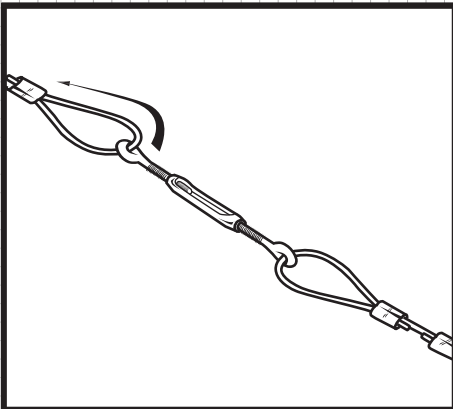
Crimp the aluminum stop. Always remember to crimp aluminum stops wherever they are used.

Step 2.



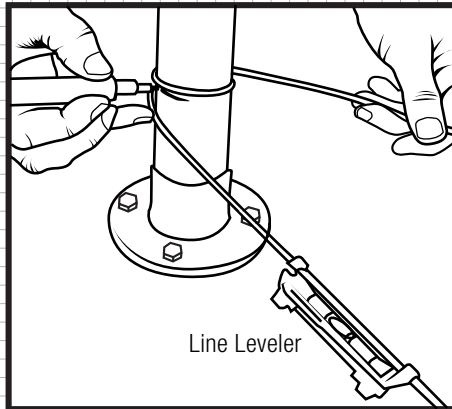
Loop the cable through one eye of the turnbuckle and secure with an aluminum stop.

Step 3.



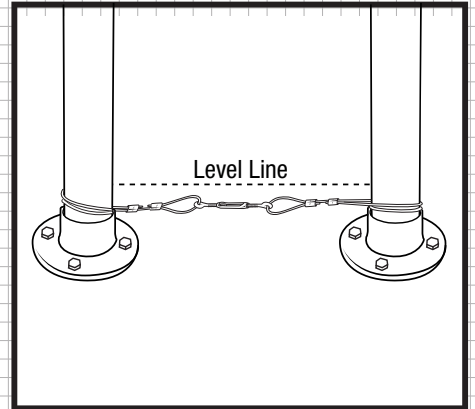
Using the remaining cable for this panel, loop the cable through the other eye of the turnbuckle and secure with an aluminum stop.

Step 4a.



Double loop the cable around the second vertical post, pull slack out of the cable, level by using a line leveler (as shown) and secure with an aluminum stop. (Depending on the contour of the land, you may choose to string the cable below the level position. If you choose to do this, see Step #5a; otherwise proceed to step #6).

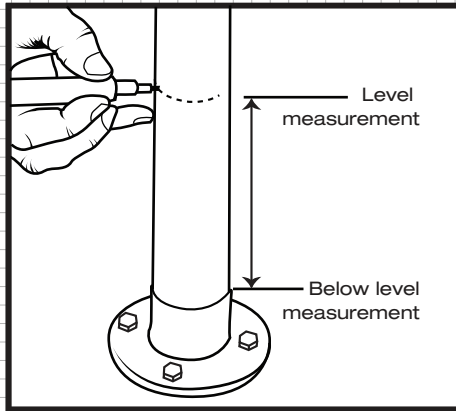
Step 4b. (level measurement)



Proceed to securing the cable line to level position.

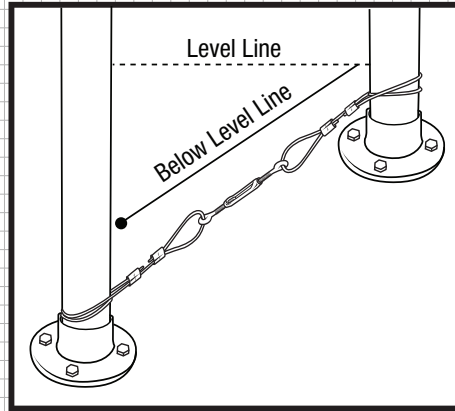
# STEP 1 INSTALLING THE CABLE (continued)

Step 5a. (below level measurement)



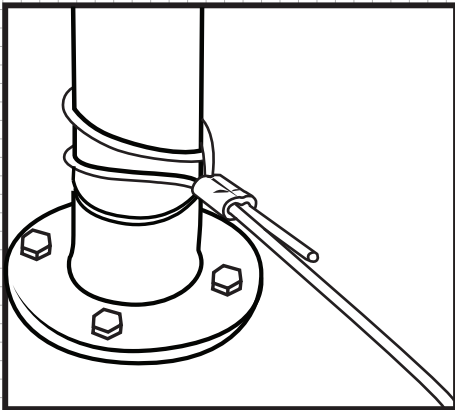
Mark the level position on the second vertical post with a marking pen before you secure with an aluminum stop. This will be important when you measure for the scrim installation.

Step 5b. (below level cable placement)



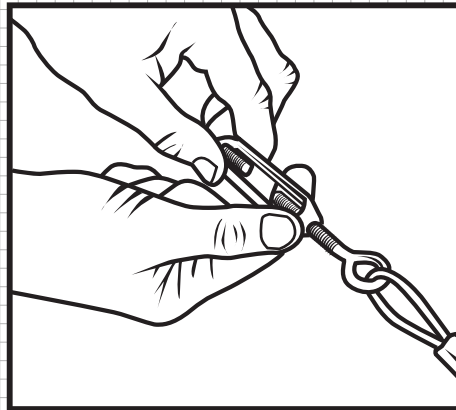
Secure the cable below the level line for the best fit to the contour of the land.

Step 6.



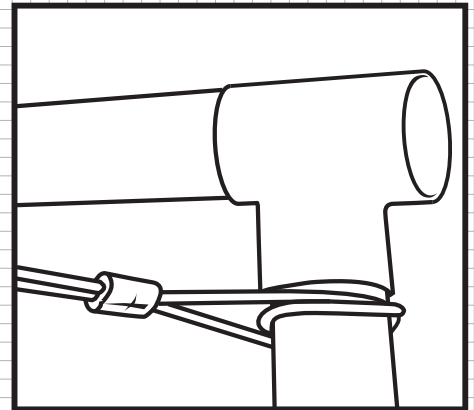
Whether in the level or below level position, put as much tension as possible on the cable and secure the second vertical post using the aluminum stop.

Step 7a.



Adjust the turnbuckle to put maximum tension on the cable.

Step 7b.



For upper cable, keep cable as tight to "T" Fitting as possible.

- For all other panels, repeat steps 1 through 7.